

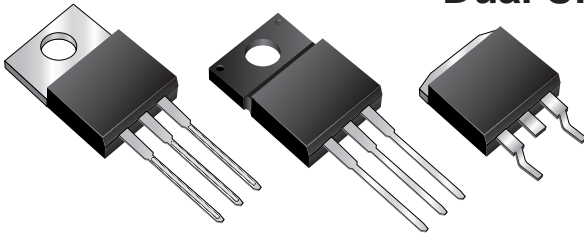


BYV32, BYVF32 & BYVB32 Series

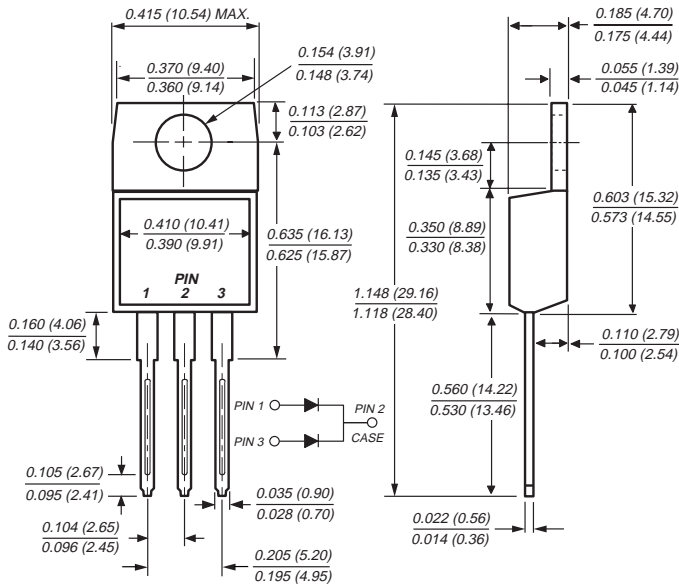
Vishay Semiconductors
formerly General Semiconductor

Dual Ultrafast Rectifiers

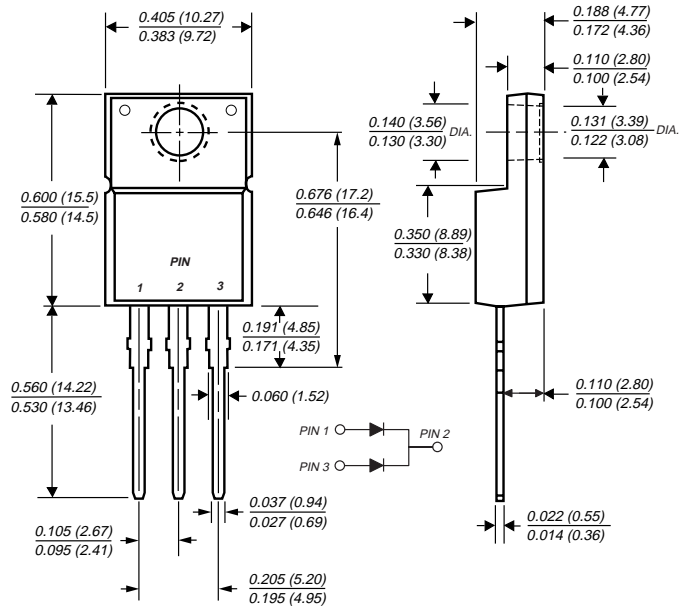
Reverse Voltage 50 to 200V
Forward Current 18A
Reverse Recovery Time 25ns



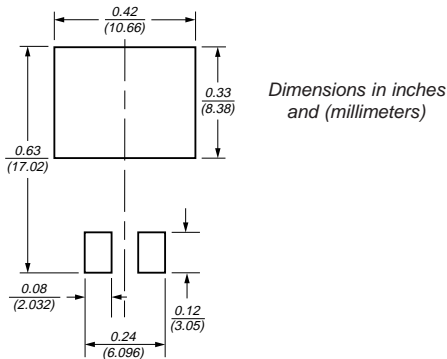
TO-220AB (BYV32 Series)



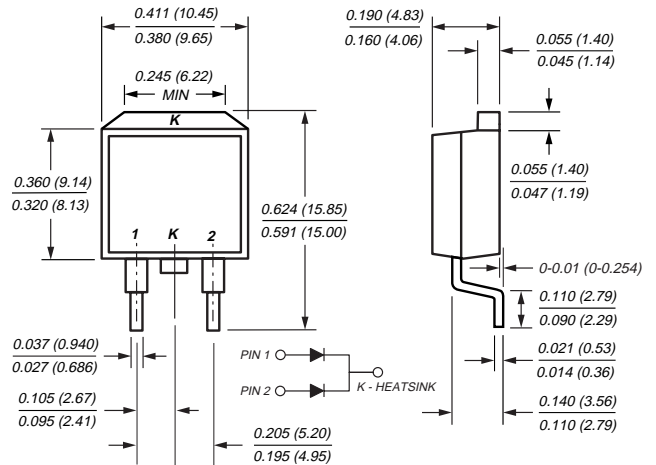
ITO-220AB (BYVF32 Series)



Mounting Pad Layout TO-263AB



TO-263AB (BYVB32 Series)



Features

- Plastic package has Underwriters Laboratory Flammability Classification 94V-0
- Dual rectifier construction, positive centertap
- Glass passivated chip junctions
- Low power loss
- Low forward voltage, high current capability
- High surge current capability
- Superfast recovery times for high efficiency

Mechanical Data

Case: JEDEC TO-220AB, ITO-220AB & TO-263AB molded plastic body

Terminals: Plated leads, solderable per MIL-STD-750, Method 2026

High temperature soldering guaranteed: 250°C, 0.16" (4.06mm) from case for 10 seconds

Polarity: As marked **Mounting Position:** Any

Mounting Torque: 10 in-lbs maximum

Weight: 0.08 oz., 2.24 g

BYV32, BYVF32 & BYVB32 Series



Vishay Semiconductors
formerly General Semiconductor

Maximum Ratings (T_C = 25°C unless otherwise noted)

Parameter	Symbol	BYV32-50	BYV32-100	BYV32-150	BYV32-200	Unit
Maximum repetitive peak reverse voltage	V _{RRM}	50	100	150	200	V
Maximum RMS voltage	V _{RMS}	35	70	105	140	V
Maximum DC blocking voltage	V _{DC}	50	100	150	200	V
Maximum average forward rectified current at T _C = 125°C	I _{F(AV)}	18				A
Peak forward surge current 8.3ms single half sine-wave superimposed on rated load (JEDEC Method) per leg	I _{FSM}	150				A
Operating junction and storage temperature range	T _J , T _{STG}	-65 to +150				°C
RMS Isolation voltage (BYVF type only) from terminals to heatsink with t = 1.0 second, RH ≤ 30%	V _{ISOL}	4500 ⁽¹⁾ 3500 ⁽²⁾ 1500 ⁽³⁾				V

Electrical Characteristics (T_C = 25°C unless otherwise noted)

Parameter	Symbol	BYV32-50	BYV32-100	BYV32-150	BYV32-200	Unit
Maximum instantaneous forward voltage per leg at: ⁽⁴⁾ at I _F = 20A at I _F = 5.0A, T _J = 100°C	V _F	1.15 0.85				V
Maximum DC reverse current per leg at rated DC blocking voltage T _J = 25°C T _J = 100°C	I _R	10 600				μA
Maximum reverse recovery time per leg at I _F = 1A, V _R = 30V, di/dt = 100A/μs, I _{rr} = 10% I _{RM}	t _{rr}	25				ns
Typical junction capacitance per leg at 4V, 1MHz	C _J	45				pF

Thermal Characteristics (T_C = 25°C unless otherwise noted)

Parameter	Symbol	BYV	BYVF	BYVB	Unit
Thermal resistance from junction to case per leg	R _{θJC}	1.6	5.0	1.6	°C/W

Notes:

- (1) Clip mounting (on case), where lead does not overlap heatsink with 0.110" offset
- (2) Clip mounting (on case), where leads do overlap heatsink
- (3) Screw mounting with 4-40 screw, where washer diameter is ≤ 4.9mm (0.19")
- (4) Pulse test: 300μs pulse width, 1% duty cycle



Ratings and Characteristic Curves ($T_A = 25^\circ\text{C}$ unless otherwise noted)

