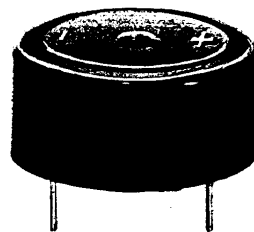
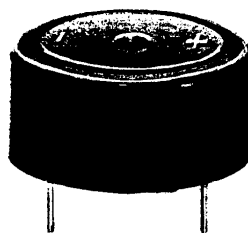


561 060

SOUNDTECH

PIEZO AUDIO INDICATOR

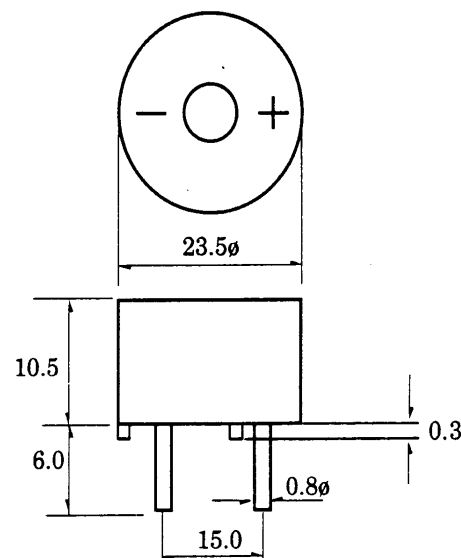
pc board mounting type



FEATURES:

- ▲ P.C. BOARD MOUNTING
- ▲ SMALL SIZE AND LIGHTWEIGHT
- ▲ HIGH SOUND OUTPUT AND LOW CURRENT DRAIN

Model No	SEP-2222	SEP-2222A
Oscillating Frequency (± 500 Hz)	3,200	
Operating Voltage (VDC)	3~20	
Sound Pressure Level at 30 cm/12VDC (dB min)	75	82
Current Consumption at 12VDC (mA max)	12	10
Tone	Continuous	
Operating Temperature ($^{\circ}$ C)	-20 $^{\circ}$ ~ 60 $^{\circ}$	
Storage Temperature ($^{\circ}$ C)	-30 $^{\circ}$ ~ 70 $^{\circ}$	
Weight (Gram)	2.8	



561060

Model No.	SEP-2232	SEP-2232A
Oscillating Frequency(± 500 Hz)	3,200	
Operating Voltage (VDC)	3~20	
Sound Pressure Level at 30 cm/12VDC (dB min)	75	82
Current Consumption at 12VDC (mA max)	12	9
Tone	Continuous	
Operating Temperature ($^{\circ}$ C)	-20 $^{\circ}$ ~ 60 $^{\circ}$	
Storage Temperature ($^{\circ}$ C)	-30 $^{\circ}$ ~ 70	
Weight (Gram)	3	

