

DATA SHEET

For a complete data sheet, please also download:

- The IC06 74HC/HCT/HCU/HCMOS Logic Family Specifications
- The IC06 74HC/HCT/HCU/HCMOS Logic Package Information
- The IC06 74HC/HCT/HCU/HCMOS Logic Package Outlines

74HC4049

Hex inverting high-to-low level shifter

Product specification
File under Integrated Circuits, IC06

December 1990

Hex inverting high-to-low level shifter

74HC4049

FEATURES

- Output capability: standard
- I_{CC} category: SSI

GENERAL DESCRIPTION

The 74HC4049 is a high-speed Si-gate CMOS device and is pin compatible with the "4049" of the "4000B" series. It is specified in compliance with JEDEC standard no. 7A.

The 74HC4049 provides six inverting buffers with a modified input protection structure, which has no diode connected to V_{CC} . Input voltages of up to 15 V may therefore be used.

This feature enables the inverting buffers to be used as logic level translators, which will convert high level logic to low level logic, while operating from a low voltage power supply. For example 15 V logic ("4000B series") can be converted down to 2 V logic.

The actual input switch level remains related to the V_{CC} and is the same as mentioned in the family characteristics. At the same time each part can be used as a simple inverter without level translation.

APPLICATIONS

- Converting 15 V logic ("4000B" series) down to 2 V logic.

QUICK REFERENCE DATA

GND = 0 V; $T_{amb} = 25\text{ }^{\circ}\text{C}$; $t_r = t_f = 6\text{ ns}$

| SYMBOL | PARAMETER | CONDITIONS | TYPICAL | UNIT |
|-------------------|--|--|---------|------|
| | | | HC | |
| t_{PHL}/t_{PLH} | propagation delay nA to n \bar{Y} | $C_L = 15\text{ pF}$; $V_{CC} = 5\text{ V}$ | 8 | ns |
| C_I | input capacitance | | 3.5 | pF |
| C_{PD} | power dissipation capacitance per buffer | note 1 | 14 | pF |

Note

1. C_{PD} is used to determine the dynamic power dissipation (P_D in μW):

$$P_D = C_{PD} \times V_{CC}^2 \times f_i + \sum (C_L \times V_{CC}^2 \times f_o) \text{ where:}$$

f_i = input frequency in MHz

f_o = output frequency in MHz

C_L = output load capacitance in pF

V_{CC} = supply voltage in V

$\sum (C_L \times V_{CC}^2 \times f_o)$ = sum of outputs

ORDERING INFORMATION

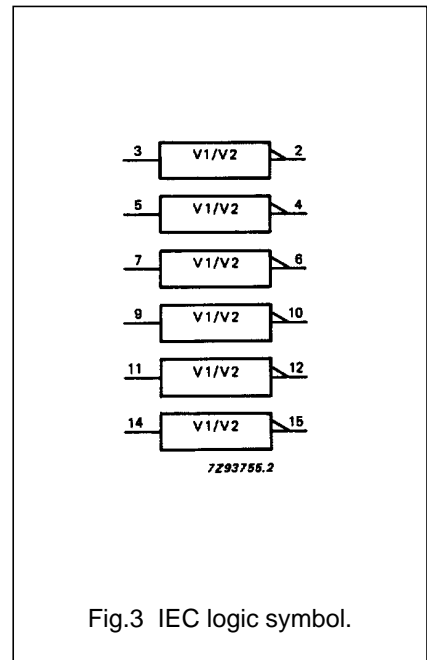
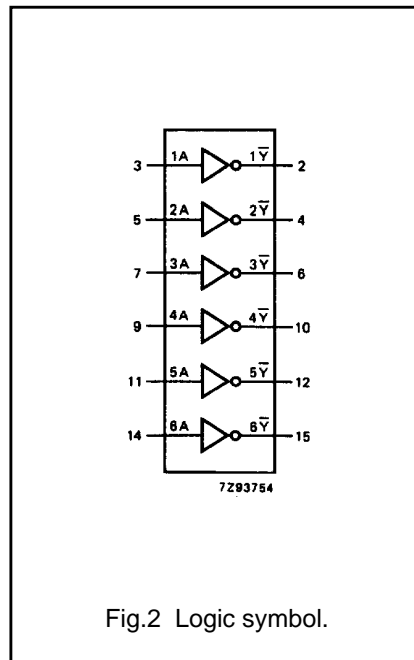
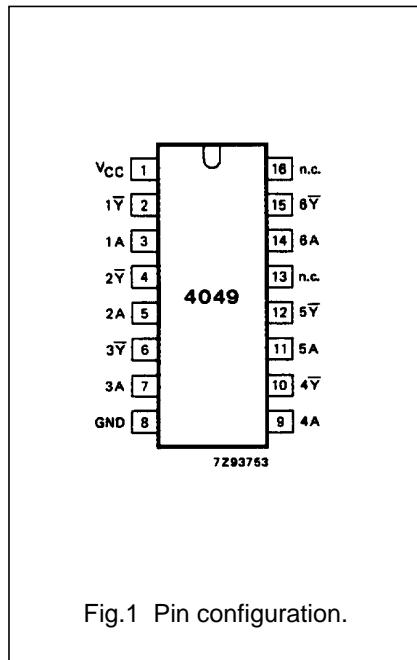
See "74HC/HCT/HCU/HCMOS Logic Package Information".

Hex inverting high-to-low level shifter

74HC4049

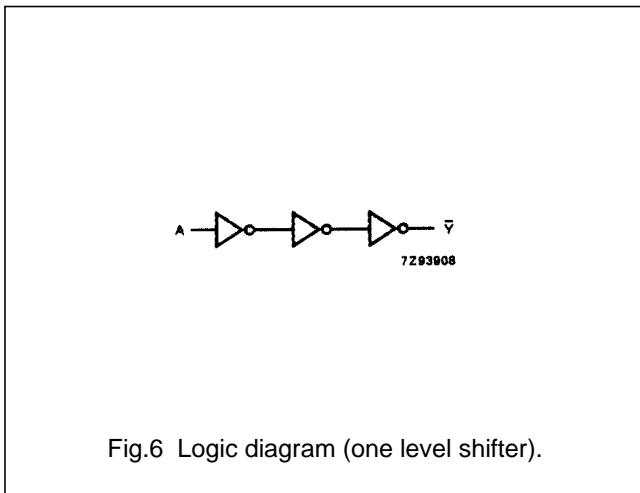
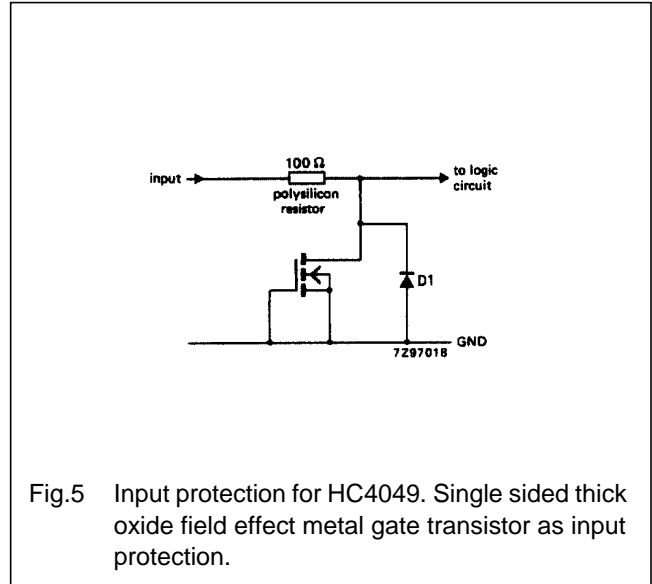
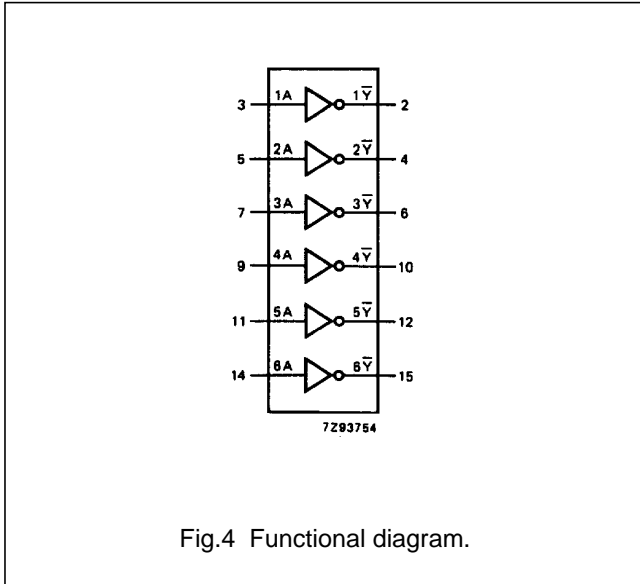
PIN DESCRIPTION

| PIN NO. | SYMBOL | NAME AND FUNCTION |
|---------------------|----------------------------|-------------------------|
| 1 | V _{CC} | positive supply voltage |
| 2, 4, 6, 10, 12, 15 | 1 \bar{Y} to 6 \bar{Y} | data outputs |
| 3, 5, 7, 9, 11, 14 | 1A to 6A | data inputs |
| 8 | GND | ground (0 V) |
| 13, 16 | n.c. | not connected |



Hex inverting high-to-low level shifter

74HC4049



FUNCTION TABLE

| INPUT | OUTPUT |
|-------|--------|
| nA | nY |
| L | H |
| H | L |

Notes

1. H = HIGH voltage level
L = LOW voltage level

Hex inverting high-to-low level shifter

74HC4049

RATINGS

Limiting values in accordance with the Absolute Maximum System (IEC 134)

Voltages are referenced to GND (ground = 0 V)

| SYMBOL | PARAMETER | MIN. | MAX. | UNIT | CONDITIONS |
|---------------------------------|---|------|------|------|---|
| V_{CC} | DC supply voltage | -0.5 | +7 | V | |
| V_{IK} | DC input voltage range | -0.5 | +16 | V | |
| $-I_{IK}$ | DC input diode current | | 20 | mA | for $V_I < -0.5$ V |
| $\pm I_{OK}$ | DC output diode current | | 20 | mA | for $V_O < -0.5$ V or $V_O > V_{CC} + 0.5$ V |
| $\pm I_O$ | DC output source or sink current - standard outputs | | 25 | mA | for -0.5 V $< V_O < V_{CC} + 0.5$ V |
| $\pm I_{CC}$; $\pm I_{GND}$ | DC V_{CC} or GND current for types with: - standard outputs | | 50 | mA | |
| T_{stg} | storage temperature range | -65 | +150 | °C | |
| P_{tot} | power dissipation per package | | | | for temperature range: -40 to +125 °C 74HC |
| | plastic DIL | | 750 | mW | above +70 °C: derate linearly with 12 mW/K |
| | plastic mini-pack (SO) | | 400 | mW | above +70 °C: derate linearly with 8 mW/K |

RECOMMENDED OPERATING CONDITIONS

| SYMBOL | PARAMETER | 74HC | | | UNIT | CONDITIONS |
|------------|-------------------------------------|------|------|-----------------------------------|------|--|
| | | min. | typ. | max. | | |
| V_{CC} | DC supply voltage | 2.0 | 5.0 | 6.0 | V | |
| V_I | DC input voltage range | GND | - | 15 | V | |
| T_{amb} | operating ambient temperature range | -40 | | +85 | °C | see DC and AC characteristics |
| T_{amb} | operating ambient temperature range | -40 | | +125 | °C | |
| t_r, t_f | input rise and fall times | | 6.0 | 1000 500 400 650 1000 | ns | $V_{CC} = 2.0$ V; $V_{IN} = 2.0$ V $V_{CC} = 4.5$ V; $V_{IN} = 4.5$ V $V_{CC} = 6.0$ V; $V_{IN} = 6.0$ V $V_{CC} = 6.0$ V; $V_{IN} = 10.0$ V $V_{CC} = 6.0$ V; $V_{IN} = 15.0$ V |

Hex inverting high-to-low level shifter

74HC4049

DC CHARACTERISTICS FOR 74HC

Voltages are referenced to GND (ground = 0 V)

| SYMBOL | PARAMETER | T _{amb} (°C) | | | | | | | UNIT | TEST CONDITIONS | | |
|------------------|--|-----------------------|-------------------|--------------------|--------------------|--------------------|--------------------|--------------------|------|------------------------|--|---|
| | | 74HC | | | | | | | | V _{CC} (V) | V _I | OTHER |
| | | +25 | | | -40 to +85 | | -40 to +125 | | | | | |
| | | min. | typ. | max. | min. | max. | min. | max. | | | | |
| V _{IH} | HIGH level input voltage | 1.5 3.15 4.2 | 1.3 2.4 3.1 | | 1.5 3.15 4.2 | | 1.5 3.15 4.2 | | V | 2.0 4.5 6.0 | | |
| V _{IL} | LOW level input voltage | | 0.7 1.8 2.3 | 0.5 1.35 1.8 | | 0.5 1.35 1.8 | | 0.5 1.35 1.8 | V | 2.0 4.5 6.0 | | |
| V _{OH} | HIGH level output voltage all outputs | 1.9 4.4 5.9 | 2.0 4.5 6.0 | | 1.9 4.4 5.9 | | 1.9 4.4 5.9 | | V | 2.0 4.5 6.0 | V _{IH} or V _{IL} | -I _O = 20 μA -I _O = 20 μA -I _O = 20 μA |
| V _{OH} | HIGH level output voltage standard outputs | 3.98 5.48 | | | 3.84 5.34 | | 3.7 5.2 | | V | 4.5 6.0 | V _{IH} or V _{IL} | -I _O = 4.0 mA -I _O = 5.2 mA |
| V _{OL} | LOW level output voltage all outputs | | | 0.1 0.1 0.1 | | 0.1 0.1 0.1 | | 0.1 0.1 0.1 | V | 2.0 4.5 6.0 | V _{IH} or V _{IL} | I _O = 20 μA I _O = 20 μA I _O = 20 μA |
| V _{OL} | LOW level output voltage standard outputs | | | 0.26 0.26 | | 0.33 0.33 | | 0.4 0.4 | V | 4.5 6.0 | V _{IH} or V _{IL} | I _O = 4.0 mA I _O = 5.2 mA |
| ± I _I | input leakage current | | | 0.1 | | 1.0 | | 1.0 | μA | 6.0 | V _{CC} or GND | |
| | | | | 0.5 | | 5.0 | | 5.0 | μA | 2.0 to 6.0 | 15 V | |
| I _{CC} | quiescent supply current | | | 2.0 | | 20.0 | | 40.0 | μA | 6.0 | 15 V or GND | |

Hex inverting high-to-low level shifter

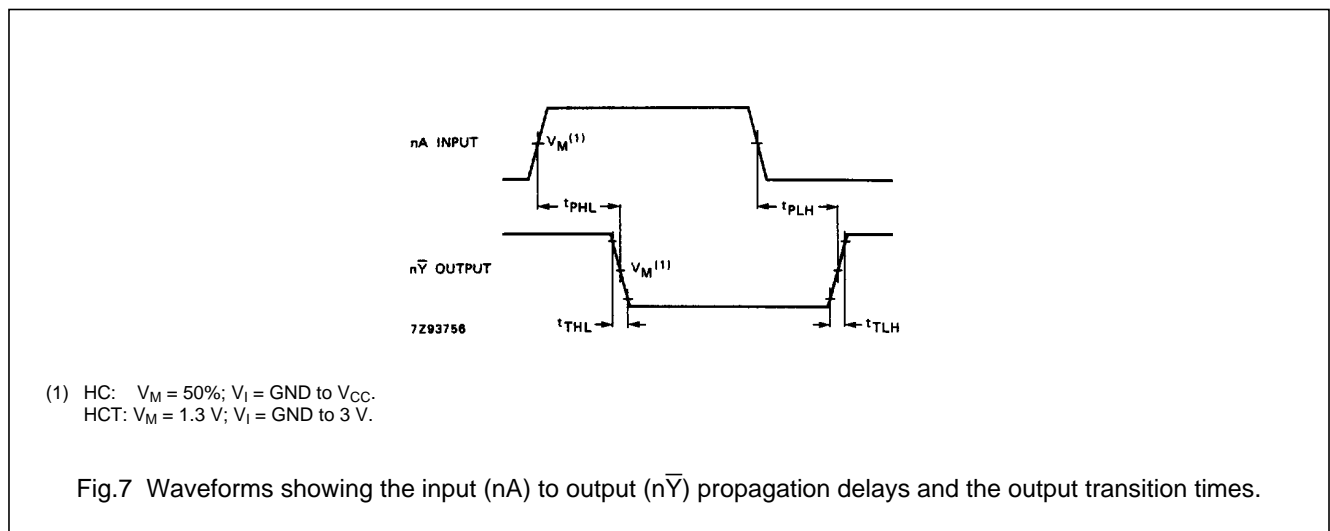
74HC4049

AC CHARACTERISTICS FOR 74HC

GND = 0 V; $t_r = t_f = 6$ ns; $C_L = 50$ pF

| SYMBOL | PARAMETER | T_{amb} (°C) | | | | | | UNIT | TEST CONDITIONS | | |
|---------------------|--|----------------|---------------|----------------|------------|-----------------|-------------|-----------------|-----------------|-------------------|-------|
| | | 74HC | | | | | | | V_{CC} (V) | WAVEFORMS | |
| | | +25 | | | -40 to +85 | | -40 to +125 | | | | |
| | | min. | typ. | max. | min. | max. | min. | | | | max. |
| t_{PHL} / t_{PLH} | propagation delay nA to n \bar{Y} | | 28 10 8 | 85 17 14 | | 105 21 18 | | 130 26 22 | ns | 2.0 4.5 6.0 | Fig.7 |
| t_{THL} / t_{TLH} | output transition time | | 19 7 6 | 75 15 13 | | 95 19 16 | | 110 22 19 | ns | 2.0 4.5 6.0 | Fig.7 |

AC WAVEFORMS



PACKAGE OUTLINES

See "74HC/HCT/HCU/HCMOS Logic Package Outlines".