



Data Sheet

Light dependent resistors

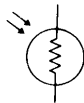
NORP12 RS stock number 651-507
NSL19-M51 RS stock number 596-141

Two cadmium sulphide (cdS) photoconductive cells with spectral responses similar to that of the human eye. The cell resistance falls with increasing light intensity. Applications include smoke detection, automatic lighting control, batch counting and burglar alarm systems.

Guide to source illuminations

Light source	Illumination (Lux)
Moonlight	0.1
60W bulb at 1m	50
1W MES bulb at 0.1m	100
Fluorescent lighting	500
Bright sunlight	30,000

Circuit symbol



Light memory characteristics

Light dependent resistors have a particular property in that they remember the lighting conditions in which they have been stored. This memory effect can be minimised by storing the LDRs in light prior to use. Light storage reduces equilibrium time to reach steady resistance values.

NORP12 (RS stock no. 651-507)

Absolute maximum ratings

Voltage, ac or dc peak	320V
Current	75mA
Power dissipation at 30°C	250mW
Operating temperature range	-60°C to +75°C

Electrical characteristics

$T_A = 25^\circ\text{C}$. 2854°K tungsten light source

Parameter	Conditions	Min.	Typ.	Max.	Units
Cell resistance	1000 lux	-	400	-	Ω
	10 lux	-	9	-	$\text{k}\Omega$
Dark resistance	-	1.0	-	-	$\text{M}\Omega$
Dark capacitance	-	-	3.5	-	pF
Rise time 1	1000 lux	-	2.8	-	ms
	10 lux	-	18	-	ms
Fall time 2	1000 lux	-	48	-	ms
	10 lux	-	120	-	ms

1. Dark to 110% R_L

2. To $10 \times R_L$

R_L = photocell resistance under given illumination.

Features

- Wide spectral response
- Low cost
- Wide ambient temperature range.

Dimensions

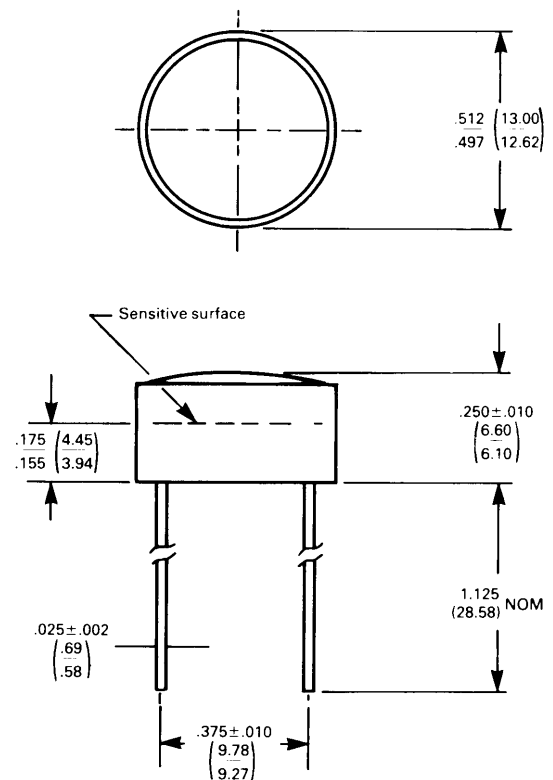


Figure 1 Power dissipation derating

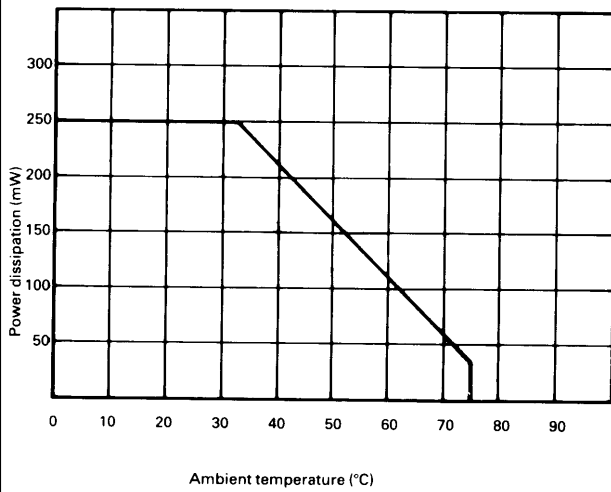
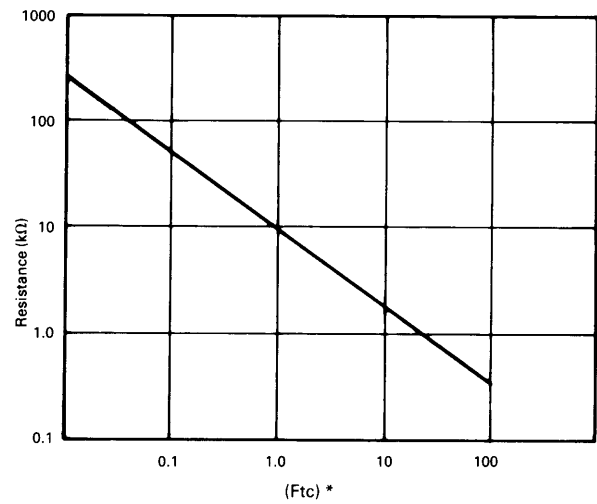
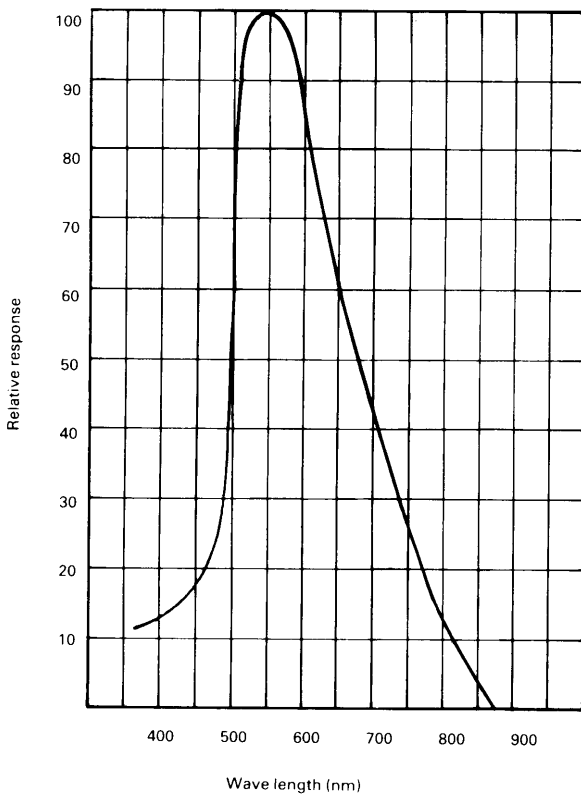


Figure 3 Resistance as a function of illumination



*1Ftc=10.764 lumens

Figure 2 Spectral response



Absolute maximum ratings

Voltage, ac or dc peak _____ 100V
 Current _____ 5mA
 Power dissipation at 25°C _____ 50mW*
 Operating temperature range _____ -25°C +75°C

*Derate linearly from 50mW at 25°C to 0W at 75°C.

Electrical characteristics

Parameter	Conditions	Min.	Typ.	Max.	Units
Cell resistance	10 lux	20	-	100	kΩ
	100 lux	-	5	-	kΩ
Dark resistance	10 lux after 10 sec	20	-	-	MΩ
Spectral response	-	-	550	-	nm
Rise time	10ftc	-	45	-	ms
Fall time	10ftc	-	55	-	ms

Figure 4 Resistance as a function illumination

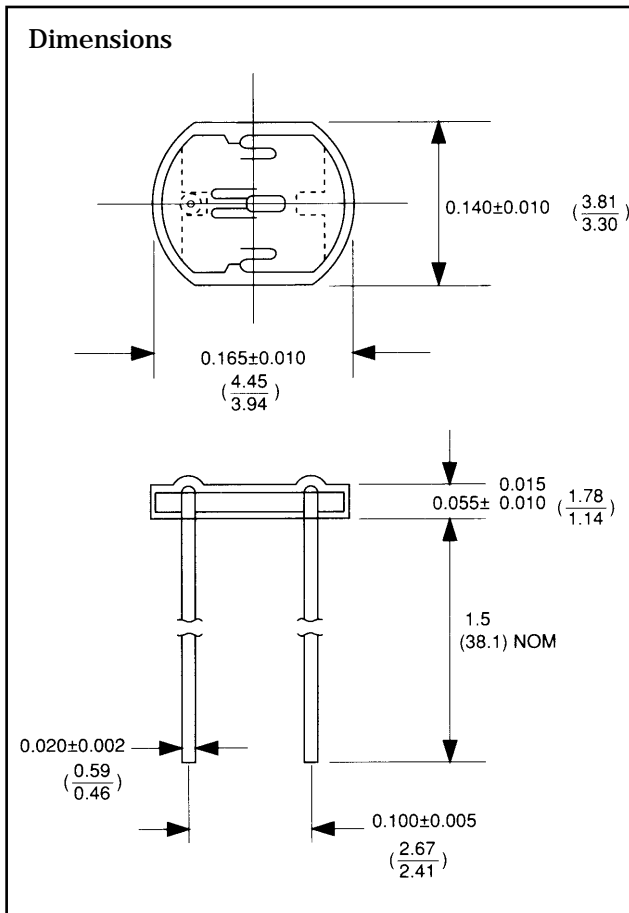
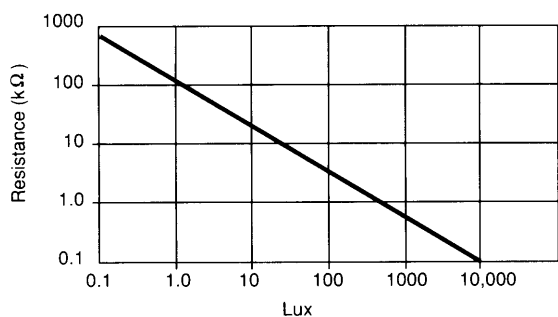
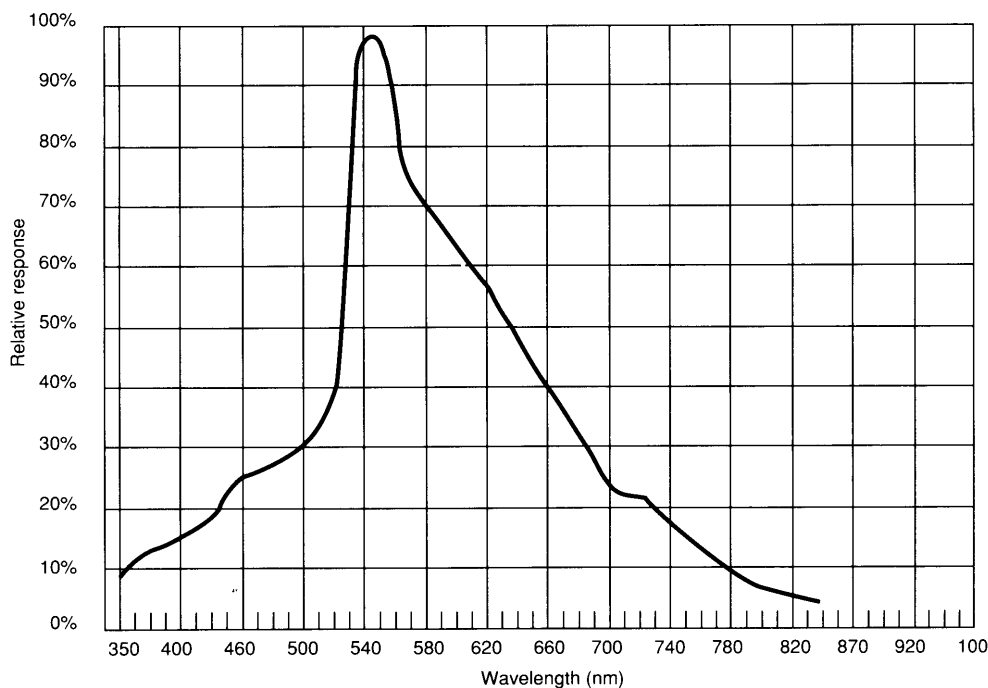
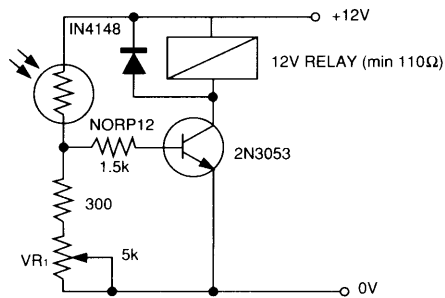


Figure 5 Spectral response



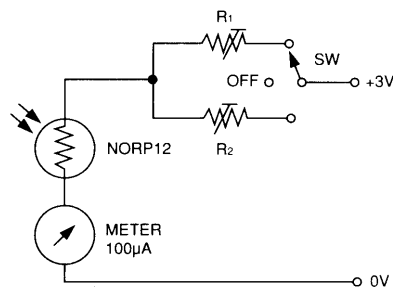
Typical application circuits

Figure 6 Sensitive light operated relay



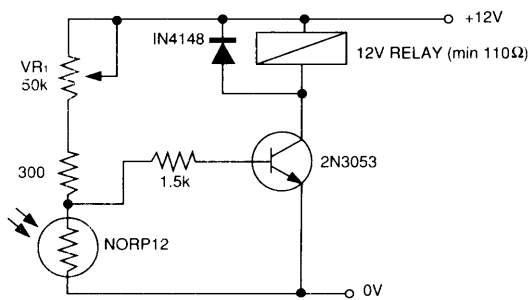
Relay energised when light level increases above the level set by VR₁

Figure 9 Logarithmic law photographic light meter



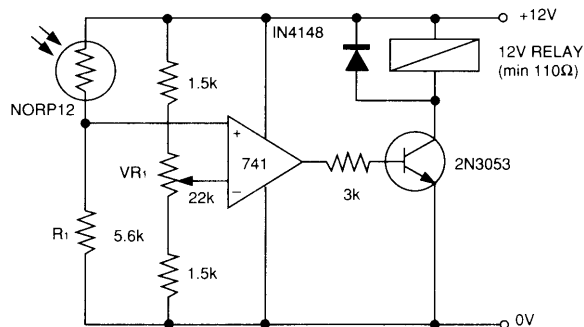
Typical value R¹ = 100kΩ
R² = 200kΩ preset to give two overlapping ranges.
(Calibration should be made against an accurate meter.)

Figure 7 Light interruption detector



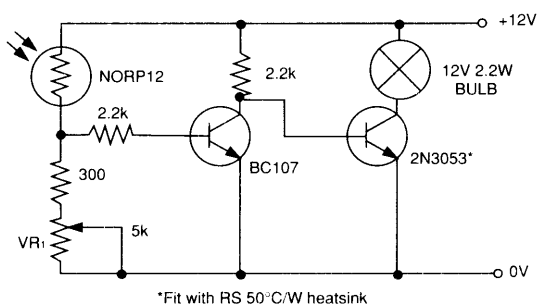
As Figure 6 relay energised when light level drops below the level set by VR₁

Figure 10 Extremely sensitive light operated relay



(Relay energised when light exceeds preset level.)
Incorporates a balancing bridge and op-amp. R₁ and NORP12 may be interchanged for the reverse function.

Figure 8 Automatic light circuit



*Fit with RS 50°C/W heatsink

Adjust turn-on point with VR₁

The information provided in RS technical literature is believed to be accurate and reliable; however, RS Components assumes no responsibility for inaccuracies or omissions, or for the use of this information, and all use of such information shall be entirely at the user's own risk. No responsibility is assumed by RS Components for any infringements of patents or other rights of third parties which may result from its use. Specifications shown in RS Components technical literature are subject to change without notice.