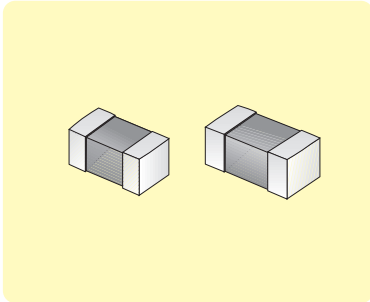


MURATA type LQM18N & LQM21N

A range of general purpose, surface mount inductors consisting of a magnetically shielded chip coil developed from multilayer process technology. Offers small size and high reliability. Available in two chip sizes, 0603 and 0805, and ideally suited for audio, video and telecommunication applications. Supplied taped and reeled.



- ◆ Industry standard chip sizes **0603 & 0805**
- ◆ Inductance values from **0.047µH to 4.7µH**
- ◆ High Q values
- ◆ Low DC resistance
- ◆ Magnetically shielded
- ◆ Suitable for wave & reflow soldering
- ◆ Supplied taped & reeled



Specification

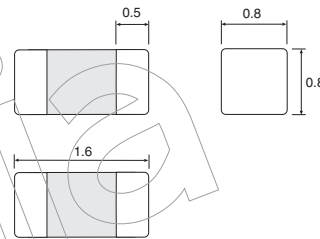
Inductance tolerance LQM18N : ±10% (±20% values ≤0.082µH)
 LQM21N : ±10%
 Operating temperature range -25°C to +85°C

Packaging

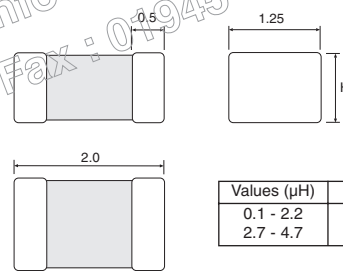
TAPE : 8mm wide, 4mm pitch REEL : 178mm dia.

Dimensions (mm)

LQM18N (0603)

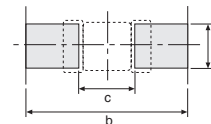


LQM21N (0805)



Values (µH)	H
0.1 - 2.2	0.85
2.7 - 4.7	1.25

Pad Pattern



Series	a	b	c
LQM18N	wave	2.2 - 2.6	0.7
	reflow	1.8 - 2.0	0.7
LQM21N	1.0	3.0 - 4.0	1.2

TECHNICAL DATA FOR REFERENCE PURPOSES ONLY
 www.anglia.com
 info@anglia.com
 Fax: 01945 47 48 49
 Tel: 01945 47 47 47

For the very latest information and news on the full range of Murata products available from Anglia, visit our website :
www.anglia.com/murata

Alternatively, contact our Sales Desk to discuss your specific requirements.

SUPPRESSION DEVICES

A range of inductors and chokes are shown in the EMC, Filters & Suppression section of this guide featuring :

- Ferrite Bead Inductors ● VHF Chokes
- Signal & Data Line Chokes ● Power Chokes
- Common Mode Chokes

LQM18N series, size 0603

Inductance Value (μH)*	DC Resistance max. (Ω)	Q		Self Resonant Frequency min. (MHz)	Current Rating (mA)	Manf. Part No. & Anglia Order Code
		min.	at Test Freq. (MHz)			
0.047	0.3	10	50	260	50	LQM18NN47NM00D
0.068	0.3	10	50	250	50	LQM18NN68NM00D
0.082	0.3	10	50	245	50	LQM18NN82NM00D
0.1	0.5	15	25	240	50	LQM18NNR10K00D
0.12	0.5	15	25	205	50	LQM18NNR12K00D
0.15	0.6	15	25	180	50	LQM18NNR15K00D
0.18	0.6	15	25	165	50	LQM18NNR18K00D
0.22	0.8	15	25	150	50	LQM18NNR22K00D
0.27	0.8	15	25	136	50	LQM18NNR27K00D
0.33	0.85	15	25	125	35	LQM18NNR33K00D
0.39	1.0	15	25	110	35	LQM18NNR39K00D
0.47	1.35	15	25	105	35	LQM18NNR47K00D
0.56	1.55	15	25	95	35	LQM18NNR56K00D
0.68	1.7	15	25	90	35	LQM18NNR68K00D

* measured at same test frequency as Q

LQM21N series, size 0805

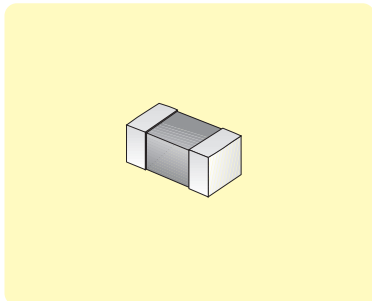
Inductance Value (μH)*	DC Resistance max. (Ω)	Q		Self Resonant Frequency min. (MHz)	Current Rating (mA)	Manf. Part No. & Anglia Order Code
		min.	at Test Freq. (MHz)			
0.1	0.26	20	25	340	250	LQM21NNR10K10D
0.12	0.29	20	25	310	250	LQM21NNR12K10D
0.15	0.32	20	25	270	250	LQM21NNR15K10D
0.18	0.35	20	25	250	250	LQM21NNR18K10D
0.22	0.38	20	25	220	250	LQM21NNR22K10D
0.27	0.42	20	25	200	250	LQM21NNR27K10D
0.33	0.48	20	25	180	250	LQM21NNR33K10D
0.39	0.53	25	25	165	200	LQM21NNR39K10D
0.47	0.57	25	25	150	200	LQM21NNR47K10D
0.56	0.63	25	25	140	150	LQM21NNR56K10D
0.68	0.72	25	25	125	150	LQM21NNR68K10D
0.82	0.81	25	25	115	150	LQM21NNR82K10D
1.0	0.4	45	10	107	50	LQM21NN1R0K10D
1.2	0.47	45	10	97	50	LQM21NN1R2K10D
1.5	0.5	45	10	87	50	LQM21NN1R5K10D
1.8	0.57	45	10	80	50	LQM21NN1R8K10D
2.2	0.63	45	10	71	30	LQM21NN2R2K10D
2.7	0.69	45	10	66	30	LQM21NN2R7K10L
3.3	0.8	45	10	59	30	LQM21NN3R3K10L
3.9	0.89	45	10	53	30	LQM21NN3R9K10L
4.7	1.0	45	10	47	30	LQM21NN4R7K10L

* measured at same test frequency as Q

Murata LQM21D & F series, size 0805 shown overleaf > > >

MURATA type LQM21D & LQM21F

A range of general purpose, surface mount 0805 size inductors consisting of a magnetically shielded chip coil developed from multilayer process technology. Offers excellent crosstalk performance, high stability and significantly reduced DC resistance whilst still achieving high inductance values. Available in two series, providing an option of characteristics, and ideally suited for choke use in low current power lines. Supplied taped and reeled.



- ◆ Industry standard chip size 0805
- ◆ Inductance values from 1µH to 47µH
- ◆ Ultra low DC resistance
- ◆ Magnetically shielded
- ◆ Two series offering a choice of characteristics
- ◆ Suitable for wave & reflow soldering
- ◆ Supplied taped & reeled



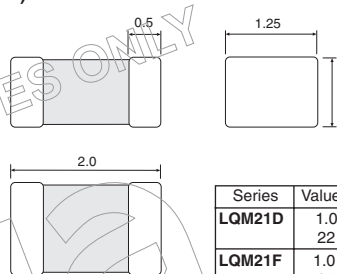
Specification

Inductance tolerance ±30%
 Operating temperature range -40°C to +85°C

Packaging

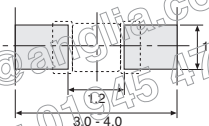
TAPE : 8mm wide, 4mm pitch REEL : 178mm dia.

Dimensions (mm)



Series	Values (µH)	H
LQM21D	1.0 - 10	0.85
	22 - 47	1.25
LQM21F	1.0 - 2.2	0.85
	4.7 - 47	1.25

Pad Pattern



LQM21D series, size 0805

Inductance Value (µH)*	DC Resistance max. (Ω)	Self Resonant Frequency min. (MHz)	Current Rating (mA)	Manf. Part No. & anglia Order Code
1.0	0.1	75	60	LQM21DN1R0N00D
2.2	0.17	50	40	LQM21DN2R2N00D
4.7	0.3	35	30	LQM21DN4R7N00D
10	0.5	24	15	LQM21DN100N00D
22	0.65	16	13	LQM21DN220N00L
47	1.2	7.5	7	LQM21DN470N00L

* measured at 1MHz

LQM21F series, size 0805

Inductance Value (µH)*	DC Resistance max. (Ω)	Self Resonant Frequency min. (MHz)	Current Rating (mA)	Manf. Part No. & anglia Order Code
1.0	0.2	105	220	LQM21FN1R0N00D
2.2	0.28	70	150	LQM21FN2R2N00D
4.7	0.3	25	80	LQM21FN4R7N00L
10	0.5	15	60	LQM21FN100N00L
22	0.35	15	13	LQM21FN220N00L
47	0.6	7.5	7	LQM21FN470N00L

* measured at 1MHz