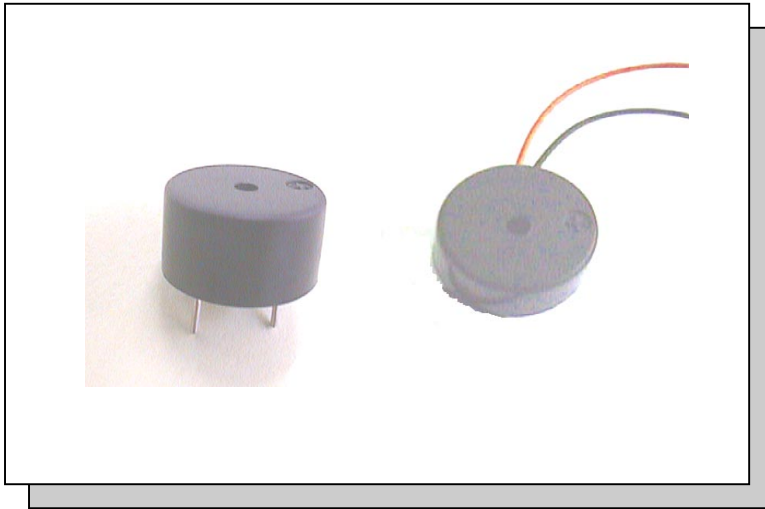


# ECHO-PIEZO BUZZER

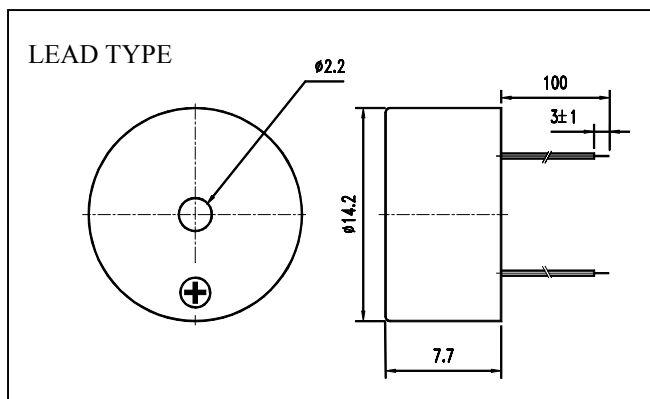
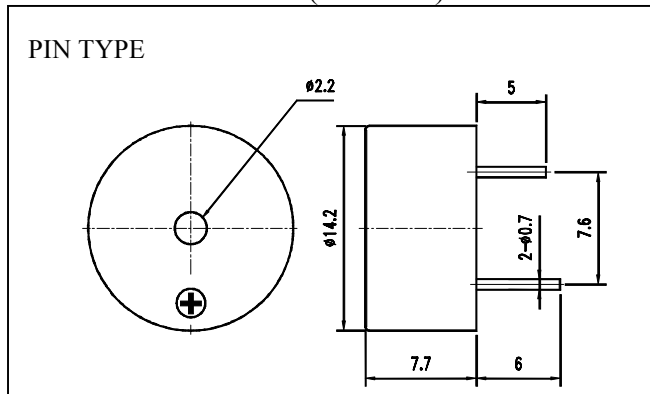
B22 SERIES



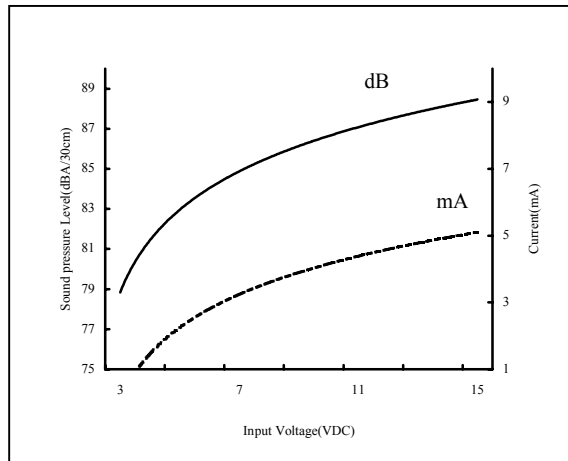
## FEATURES:

- Ultra-miniature in cubic volume and light in weight
- Low power consumption
- Very clear electronic sound can be heard in the distance, even under noisy circumstances
- No electric noise due to contacting parts; superior reliability and life time
- Wide range of operating voltages(3~15VDC)
- Operating temperature  $-20^{\circ}\text{C}$ -- $+70^{\circ}\text{C}$
- Storage temperature  $-30^{\circ}\text{C}$ -- $+70^{\circ}\text{C}$

## DIMENSIONS: (unit: mm)



## CHARACTERISTICS:



Remark : ——— Pressure level      - - - - - Current

## SPECIFICATIONS:

Model No.	Operating Voltage (VDC)	Rated Voltage (VDC)	Max. Current at Rated Voltage (mA)	Frequency (kHz)	Min. Sound Pressure at Rated Voltage (dBA/30cm)	Pulse Rate at Rated Voltage (Pulse/Sec)	Tone	Terminal
B22S4120P	3-15	12	10	4.1±0.5	83	NIL	SINGLE	PIN
B22S4120L	3-15	12	10	4.1±0.5	83	NIL	SINGLE	LEAD